

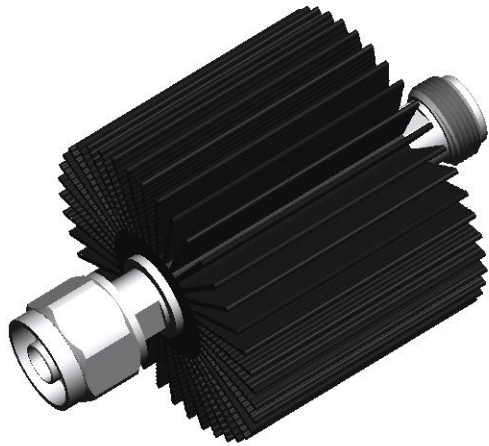
DC-3800MHz Fixed Attenuator

P/N: VN-AT-3.8G—XdB-30W-ON



Operating Frequency(MHz)	DC-3800			
Impedance(Ohm)	50			
VSWR	≤1.25			
IM3 (dBc @ 2×37dBm)	-120			
Application	Indoor & Outdoor			
Degree of Protection	IP65			
Handling Power(Watt, max)	30			
Interface	N Male - N Female			
Operating Temperature(°C)	-40 ~ + 80			
Connector Material	Brass(Silver plating for Inner Contact and Tri-metal plating for Outer Contact)			
Body Material	Aluminum			
XdB in P/N	3dB	5dB	6dB	10dB
Attenuation(dB)	3	5	6	10
Attenuation Tolerance(dB)	±0.6	±0.6	±0.7	±1.0
Dimensions (mm/inch,L×W×H,excluding connector)	50×Φ60/1.97xΦ2.36			
Net Weight(g)	240±20			
Packing Weight(kg /- pcs)	7.56/25			
Packing Dimensions(mm/inch)(L×W×H)	170×70×70/6.69x2.76x2.76			
Packing Carton Size(mm/inch)(L×W×H)	370×370×180/14.57x14.57x7.09			

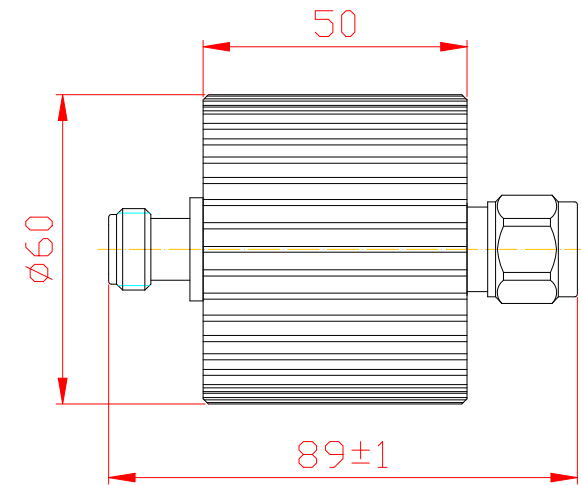
TEL: 0086-551-65396351 FAX: 0086-551-65396352
 WEB: www.vinncom.com EMAIL: sales@vinncom.com
 ADD: Ganghuai Road, New District Gangji Industrial Zone,Hefei, 231137,China.



3D Drawing



Product Image



Outline Drawing