

350-2700MHz Cavity Power Splitter / Power Divider

P/N: VN-PS-0327-ODX



Operating Frequency(MHz)	350-2700
Impedence(Ohm)	50
VSWR	≤1.20
IM3 (dBc @ 2×43dBm)	-140 / -150 / -155 / -160
Application	Indoor & Outdoor
Degree of Protection	IP65
Handling Power (Watt max.)	500
Peak Power(Watt, max)	1500
Operating Temperature(°C)	-40 ~ + 80
Body Material	Aluminum
Interface	Din Female
Connector Material	Brass(Silver plating for Inner Contact and Tri-metal plating for Outer Contact)

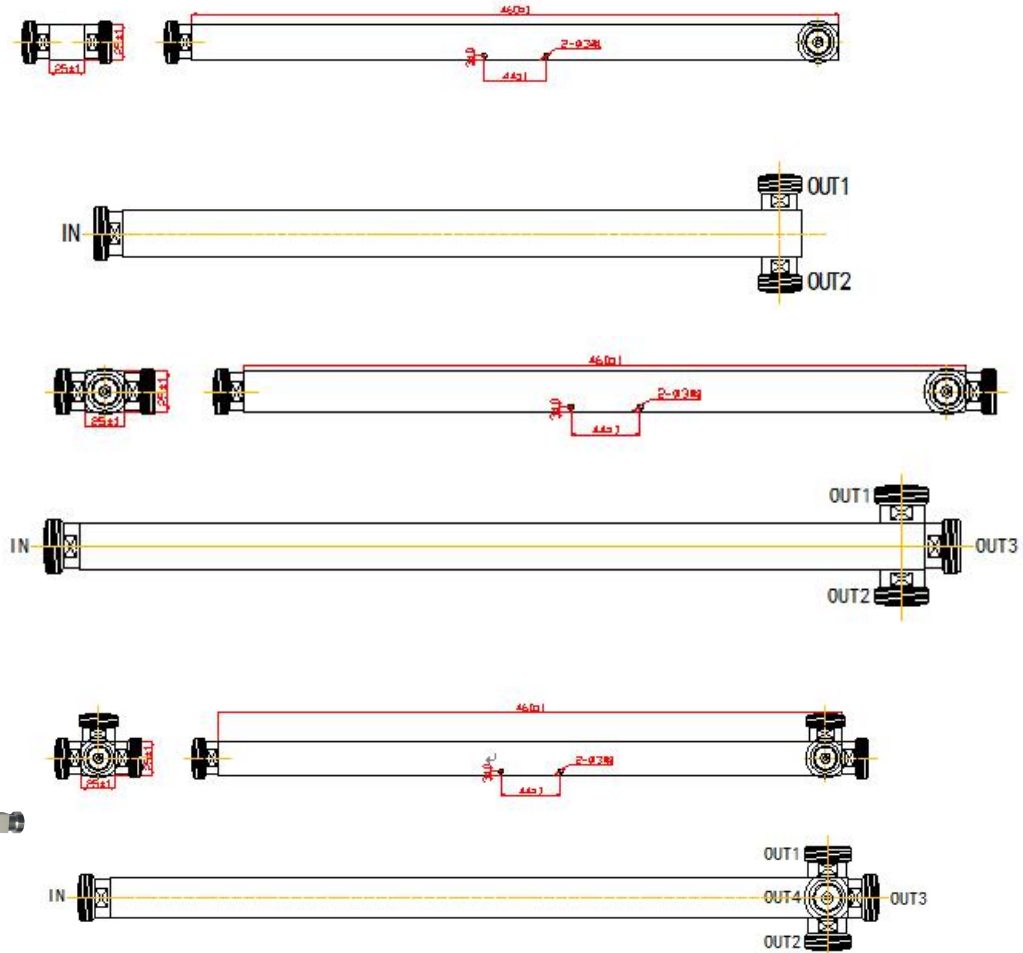
ODX in P/N	Way	Split Loss (dB)	In-band Ripple(dB)	Dimensions(mm/inch) (L×W×H, excluding connector)	Net Weight (g)	Packing Weight (kg /- pcs)	Packing Dimensions (mm/inch)(L×W×H)	Packing Carton Size (mm/inch)(L×W×H)
OD2	2-way	≤3.3	≤0.3	460×25×25/ 18.11×0.98×0.98	780±20	13.8/15	520×80×40/20.47×3.15×0.79	580×420×160/22.83×16.54×6.30
OD3	3-way	≤5.2	≤0.4	460×25×25/ 18.11×0.98×0.98	840±20	14.7/15	520×80×40/20.47×3.15×0.79	580×420×160/22.83×16.54×6.30
OD4	4-way	≤6.5	≤0.5	460×25×25/ 18.11×0.98×0.98	910±20	11.2/10	520×80×40/20.47×3.15×0.79	580×420×160/22.83×16.54×6.30

350-2700MHz Cavity Power Splitter / Power Divider

P/N: VN-PS-0327-ODX



3D Drawing



Product Image

Outline Drawing

IN1→OUT1 : DC PASS IN1→OUT2 : DC PASS
 IN1→OUT3 : DC PASS IN1→OUT4 : DC PASS